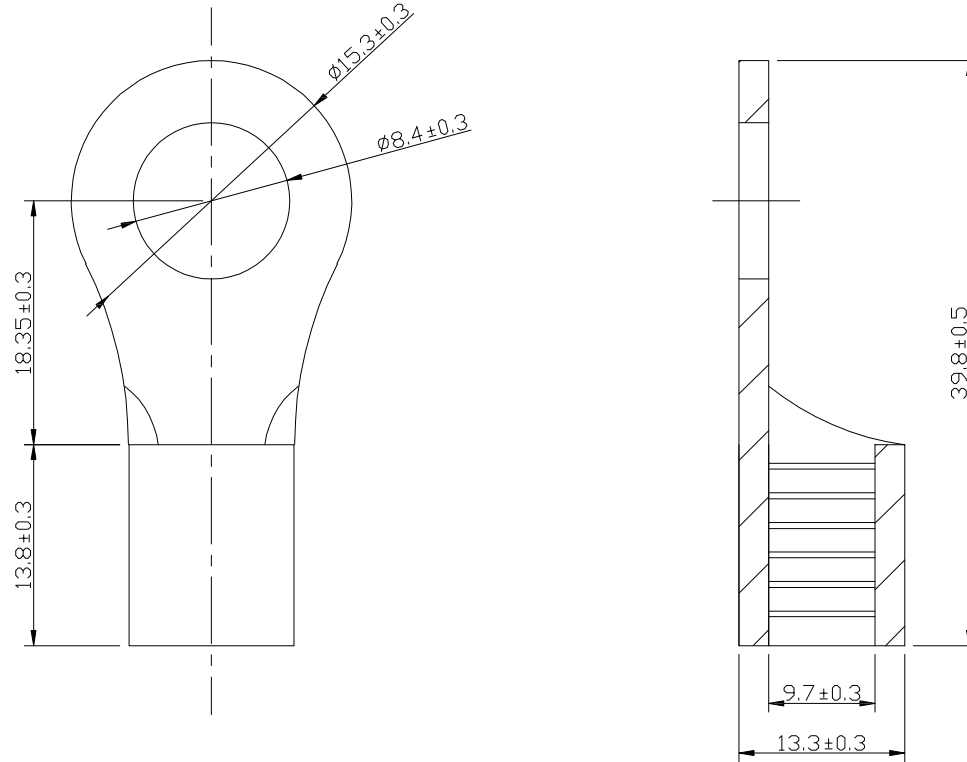


The product using material and processing must conform to the "WL-PZ-001" HSF technical standard control requirements

RoHS



技术要求

- 1、材质：紫铜，厚度1.8mm
- 2、导线截面积：35~50mm²
- 3、最大电流：160A
- 4、表面处理：镀锡

REV.	REVISION RECORD	DATE		GENERAL TOLERANCES		SCALE: 1:1	NAME	DATE	PART.NO:	DWG.NO:	 WanLian Technology Co., Ltd
A0	NEW RELEASE	22.10.28		LINEAR	ANGLES	APPROVED	Wang_jr	22.10.28	RNBS38-8	ENDE05	
			UNIT:mm	0.00±0.25	X°±3°	DESIGNER	Han_Gao	22.10.28	TITLE: 0形无绝缘端子 镀锡 RNBS38-8		REV: A0
			SIZE: A4	0.000±0.10	X'X' ±2°	DRAWN	LanXuan_Hou	22.10.28			SHEET: 1/1